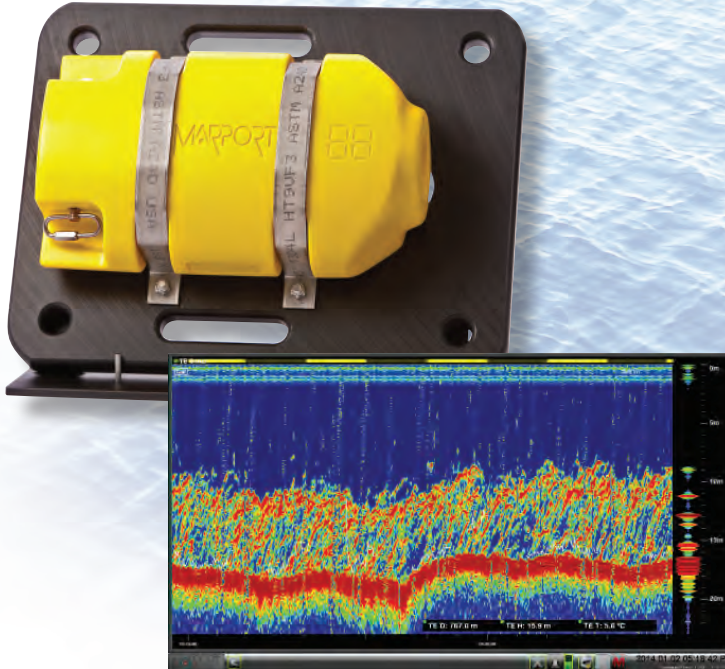


Compact Trawl Explorer



Marport's Compact Trawl Explorer net sounder, an advanced digital Narrow Band trawl wireless sounder.

The state-of-the-art, advanced design provides accurate real-time presentation of fish targets relative to the net, head rope, as well as clearance between the footrope and seabed, including standard digital presentation of trawl Depth, Temperature and Height, and optional Pitch & Roll angle. This information will provide an incredibly accurate indication of trawl behavior and fish targets during fishing.

The Compact Trawl Explorer TE-150 is a single-frequency, down sounder selectable between 86 kHz to 210 kHz, supplied with standard settings at 165 kHz to adapt to fishing conditions and best target resolution, aiding in differentiation of fish targets in the net opening. There are several selectable presentation modes available, including True Motion.

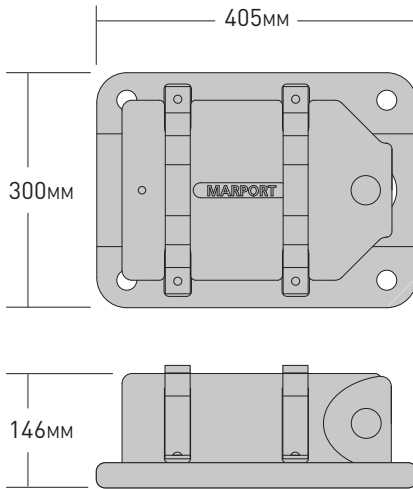
TE-150 is supplied in different configurations which are interchangeable and programmable/compatible with the others, including CN series displays and a direct replacement for CN-24 net sounder. Marport's standard configuration includes digital Narrow Band operation which is the most advanced, high resolution wireless imaging available, providing superb fish target detection and presentation in real-time.

Use of advanced Lithium-ion battery technology and fast charge configuration provides TE-150-W with an unmatched operational life, making battery replacement on deck an obsolete practice and allows updates of up to 0.9 seconds.

Features

- Compact size and selectable down-sounding frequency
- Fast update rates
- Digital Narrow Band for high resolution and target detection
- Heavy-duty, proven design for best performance
- Lithium-ion technology provides unmatched battery life
- Interchangeable and compatible with other industry manufacturers
- Depth, Temperature, and Height display included with standard configuration

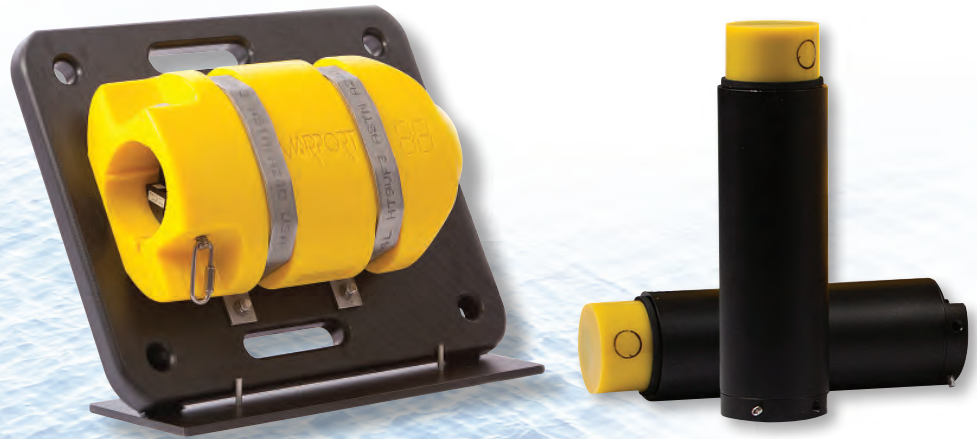




Uplink Frequency	40.8 to 43.4 kHz
Also available by Special Order	33 kHz
Uplink Beamwidth	70° (-3dB)
Range to Vessel	2500 m
Working Depth	1800 m
Sounder Range (programmable)	from 5 m to 160 m
Sounder Broadband Frequency	Broadband, 120 to 210 kHz Standard Configuration 165 kHz
Update Rate	3 to 8 sec.
Pitch & Roll (Angle)	±90 °
Optional Pitch & Roll Resolution	±0.1°
Battery Type	Lithium-Ion
Typical Battery Life Range	30-60 hours*
Charging Time	Standard: 8-12 hours** Fast Charge: 3.5 hours
Weight in Air	8.9 kg
Weight In Water	1.3 kg

* Reference Only. Depends on Compact Trawl Explorer functions enabled. Battery life may be extended using low power settings.

** Based on average charging time. Refer to the Battery Chargers Quick Reference Guide for further information.



PRODUCT NUMBER

DESCRIPTION

TE-150-W

COMPACT TRAWL EXPLORER HEADROPE UNIT - Narrow Band

DTO-0-00

DEPTH & TEMPERATURE (INCLUDED)

RPO-0-00

PITCH & ROLL OPTION

Performance specifications are estimates only. Actual results will vary depending on sea state and external factors outside Marport's control. Products may appear differently than shown.

©2014 Marport. All rights reserved. No part of this document may be reproduced, stored in a retrieval system or transmitted in any form by any means; electronic, mechanical, photocopying or otherwise, without the express written permission from Marport. "Marport", the Marport logo and Software Defined Sonar are registered trademarks of Marport. All other brands, products and company names mentioned are the trademark and property of its respective owners only. Marport is a division of Airmar Technology Corporation.

**For more information,
please contact Marport**
E-mail: sales@marport.com
www.marport.com

Americas / Asia Pacific
Patrick Belen
T: +206.953.9111
E: pbelen@marport.com

Spain / Latin America
Gildo Perez
T: +00 34 986 117 310
E: gperez@marport.com

Southern Europe / Africa
Loic Ollivier
T: +33(0) 671.643.549
E: lollivier@marport.com

Europe / Scandinavia / Russia
Oskar Axelsson
T: +354.533.3838
E: oskar@marport.com